

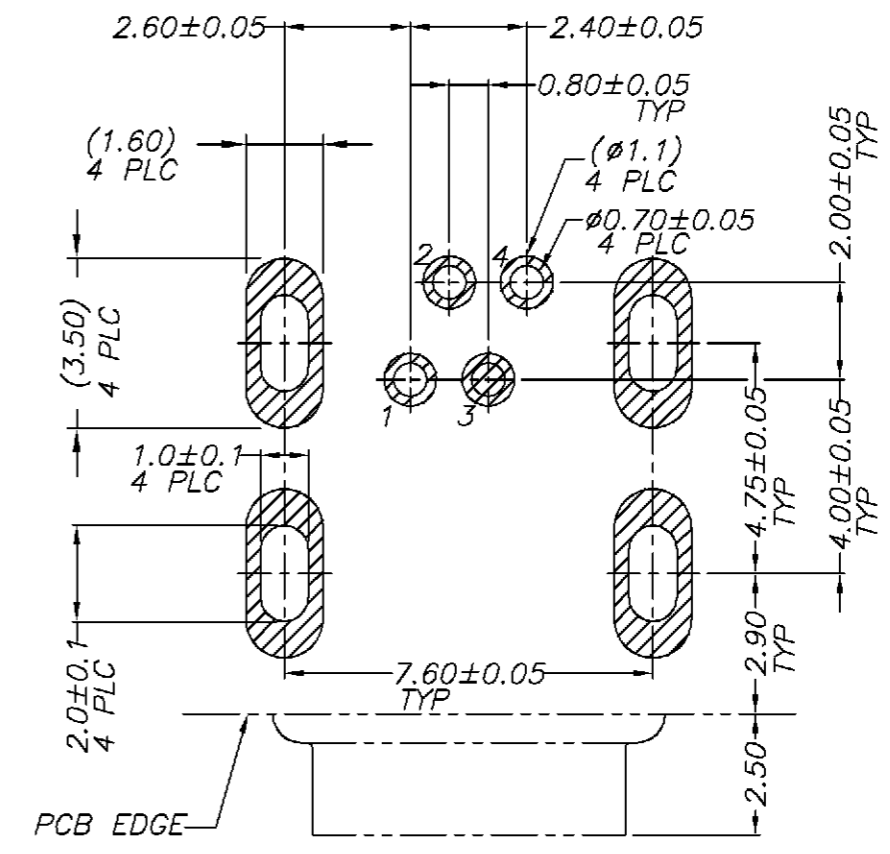
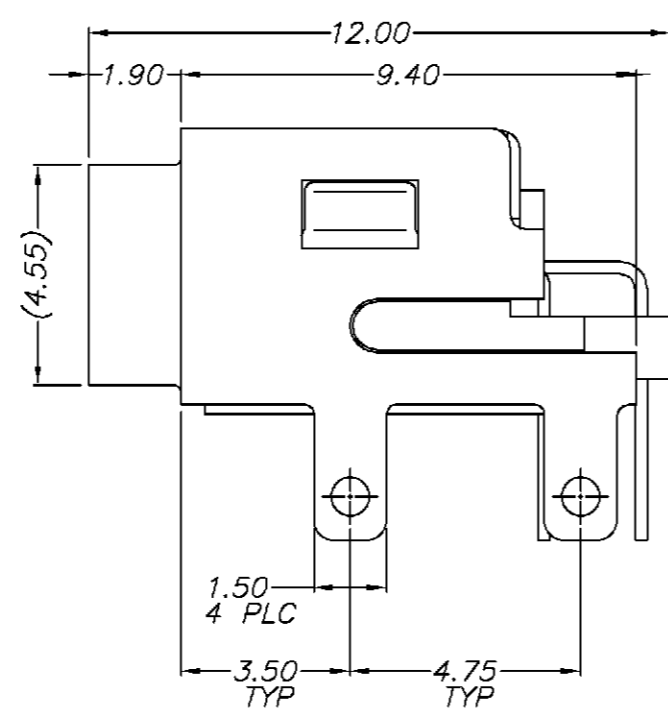
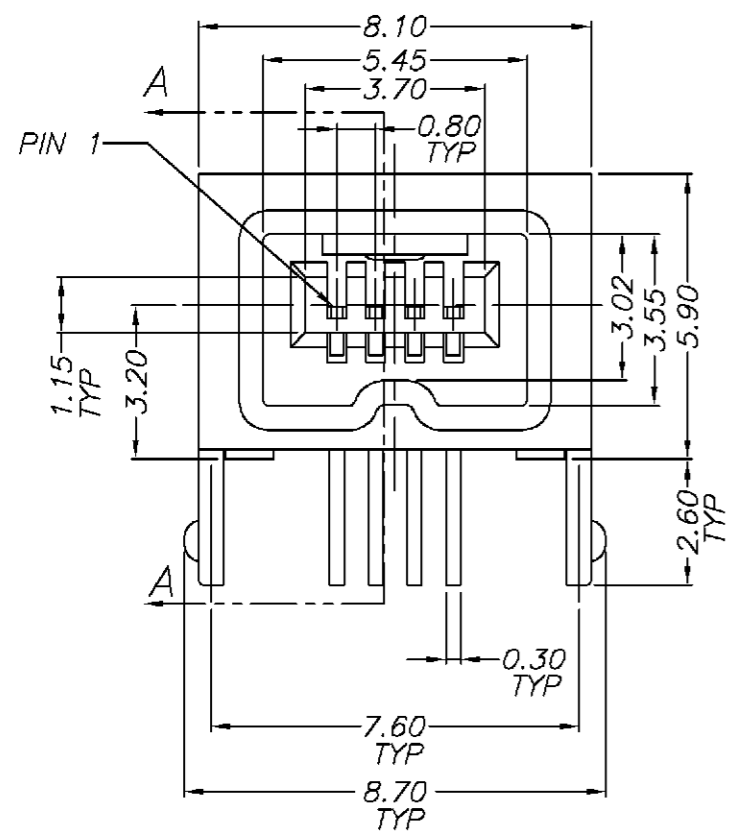
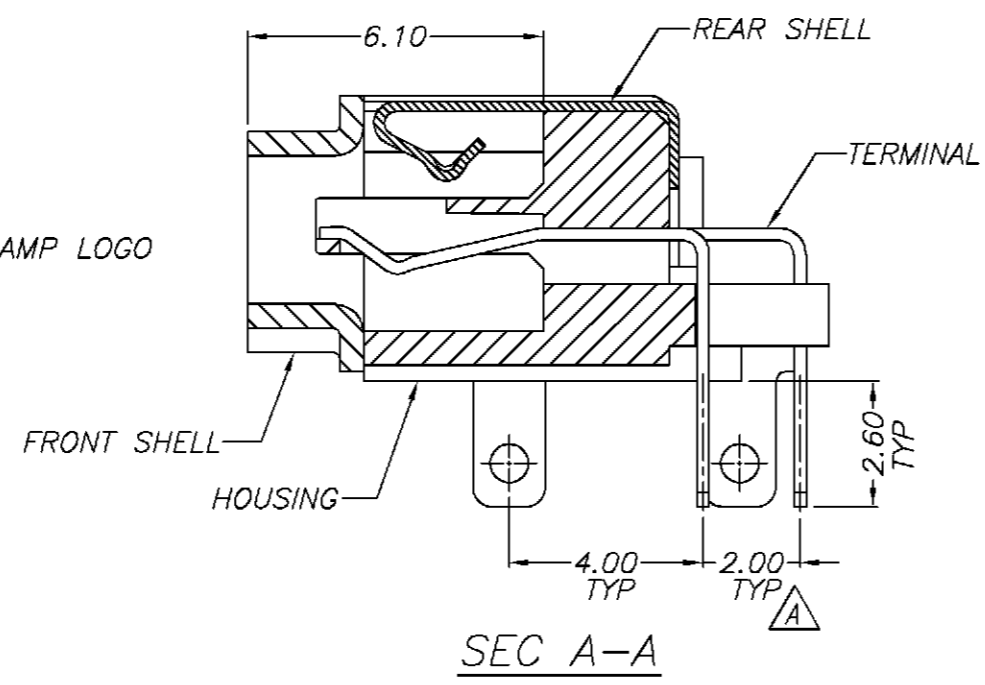
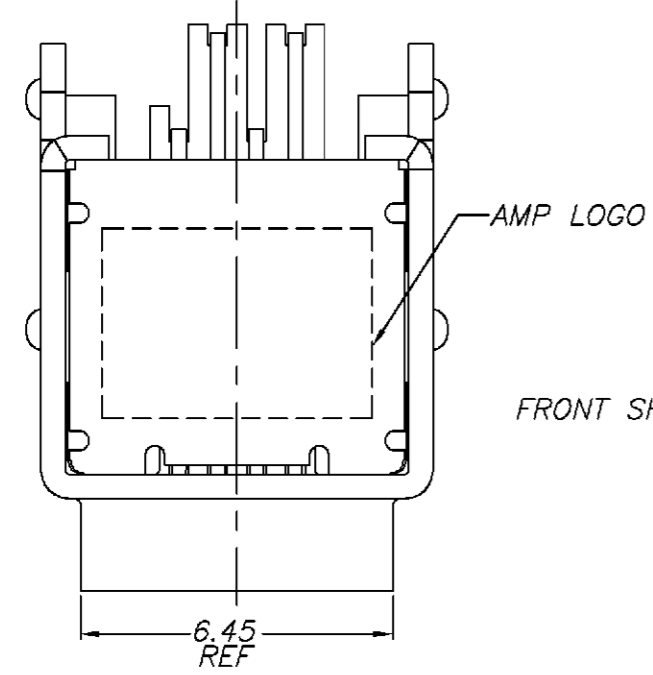
NUMBER  
C-1734056

3RD ANGLE PROJECTION

METRIC

THIS INFORMATION IS CONFIDENTIAL AND IS DISCLOSED TO YOU ON CONDITION THAT NO FURTHER DISCLOSURE IS MADE BY YOU TO OTHER THAN AMP PERSONNEL WITHOUT WRITTEN AUTHORIZATION FROM AMP (TAIWAN) LTD. DIMENSIONS IN MILLIMETERS. DO NOT SCALE PRINT.

PRINT DIST  
DW



RECOMMENDED PCB LAYOUT

NOTES:

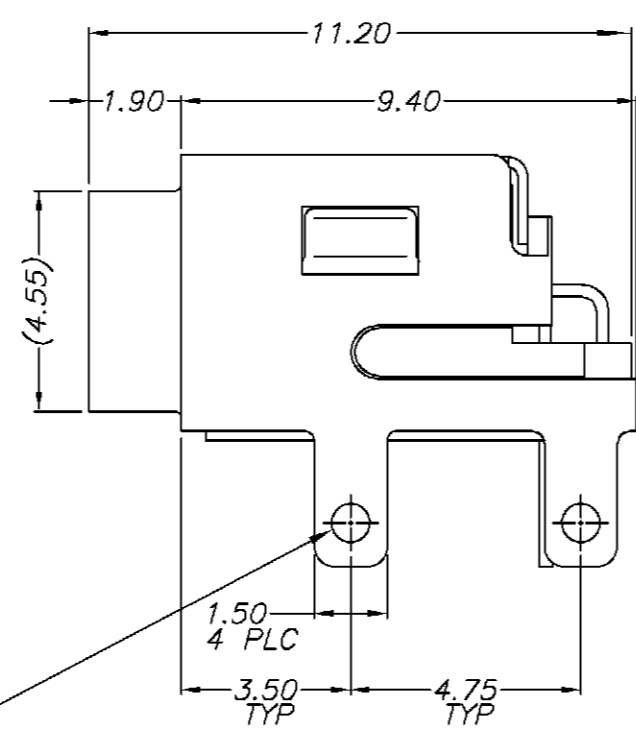
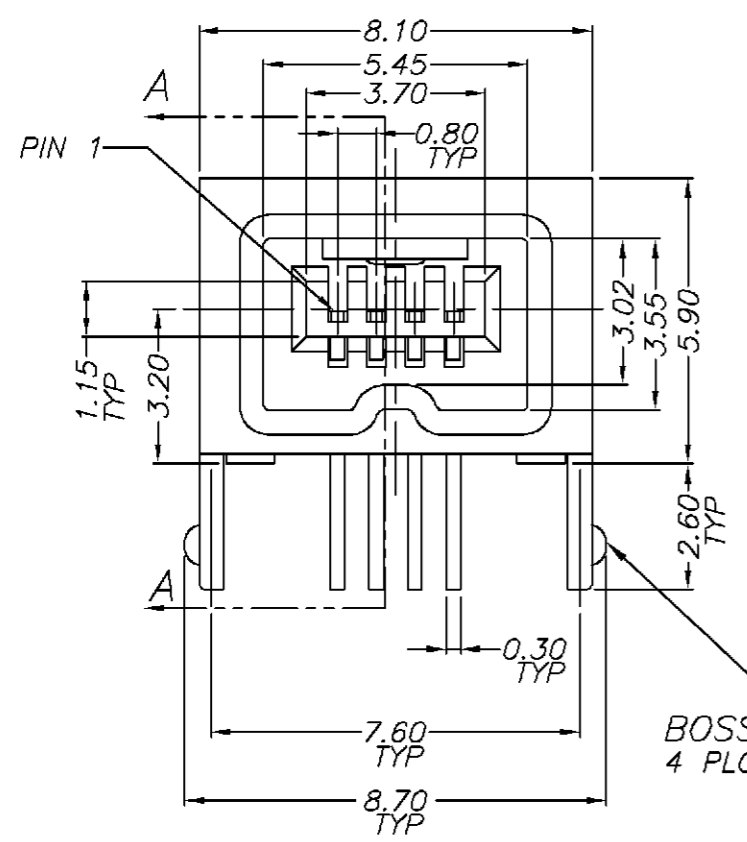
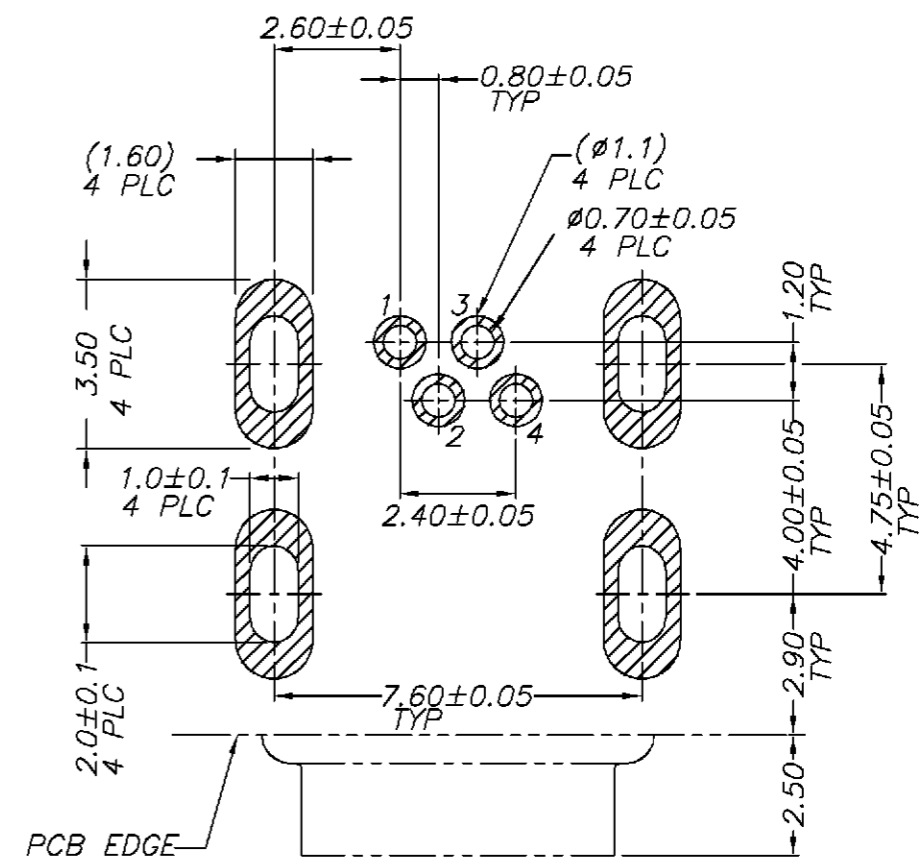
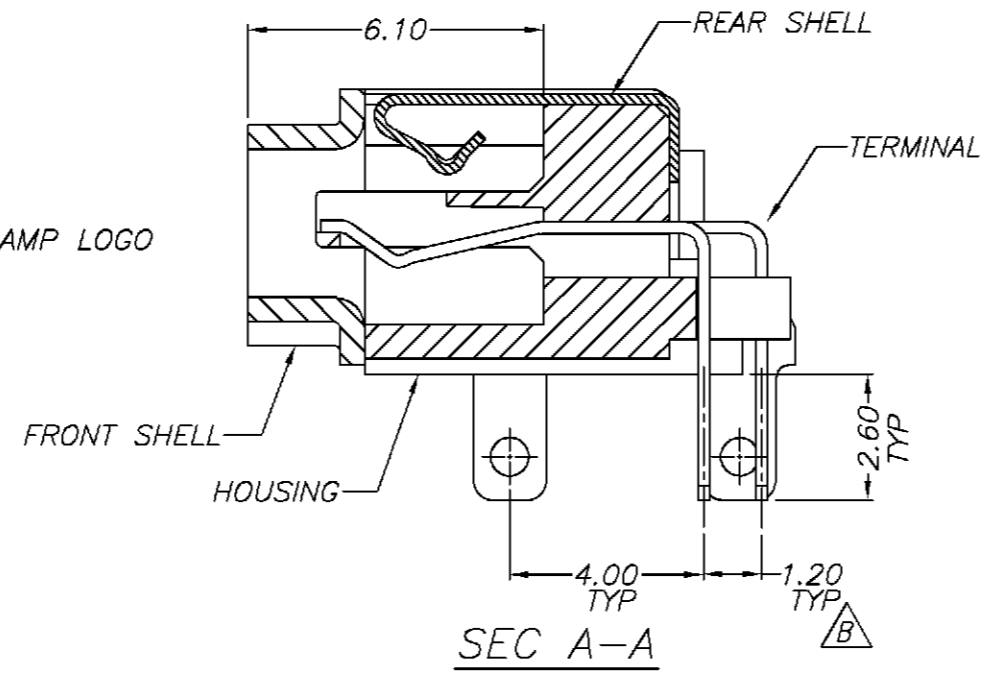
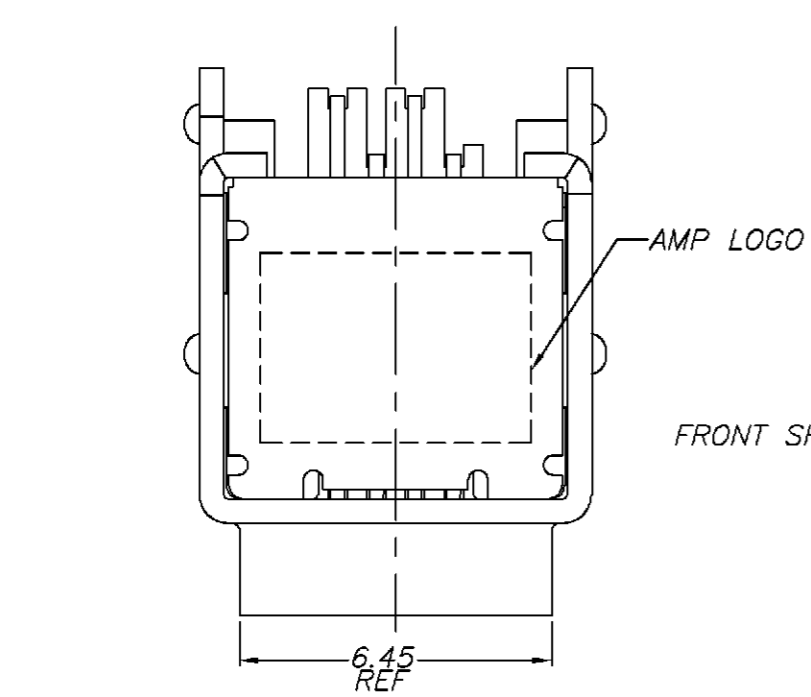
- MATERIAL:  
HOUSING: HIGH TEMP THERMOPLASTIC, UL94V-0. COLOR: BLACK.  
TERMINAL: PHOSPHOR BRONZE (t=0.25mm).  
FRONT SHELL: SPCC (t=0.50mm).  
REAR SHELL: STEEL (t=0.20mm).
- PLATING:  
TERMINAL: 30u" MIN. GOLD PLATED IN CONTACT AREA,  
100u" MIN. TIN PLATED ON SOLDER TAILS,  
50u" MIN. NICKEL UNDERPLATED ALL OVER.  
FRONT SHELL: 40u" MIN. NICKEL UNDERPLATED ALL OVER.

TAPE REEL	$\Delta$ 2.0	1-1734056-1
TRAY	$\Delta$ 2.0	1734056-1
PACKAGING	PITCH	PART NUMBER

TOLERANCES UNLESS OTHERWISE SPECIFIED: 0 PLC ± 1 PLC ± 2 PLC ± 0.3 3 PLC ± ANGLES ± 3'	DWN	O. HU	TYCO HOLDINGS (BERMUDA) VII LTD. TAIWAN BRANCH 		
		11-MAR-2004			
MATERIAL	CHK	S. HOU	NAME		
		11-MAR-2004	IEEE 1394, 4 POS, FEMALE, DIP TYPE, W/O MOUNTING EARS		
SEE NOTE	APVD	T. KE	PRODUCT SPEC 108-57460		
		11-MAR-2004			
FINISH	QUALIFICATION TEST REPORT	LOC	SIZE	DRAWING NO	REV
	SEE NOTE	501-57530	DW	A <sub>3</sub>	C-1734056
	WEIGHT	SCALE	SHEET		
		--	1 OF 5		

O	FIRST RELEASED	FZ00-0032-04	OH SH	12MAR 2004
LTR	REVISION RECORD	ECN	DWN CHK	DATE

THIS INFORMATION IS CONFIDENTIAL AND IS DISCLOSED TO YOU ON CONDITION THAT NO FURTHER DISCLOSURE IS MADE BY YOU TO OTHER THAN AMP PERSONNEL WITHOUT WRITTEN AUTHORIZATION FROM AMP (TAIWAN) LTD. DIMENSIONS IN MILLIMETERS. DO NOT SCALE PRINT.



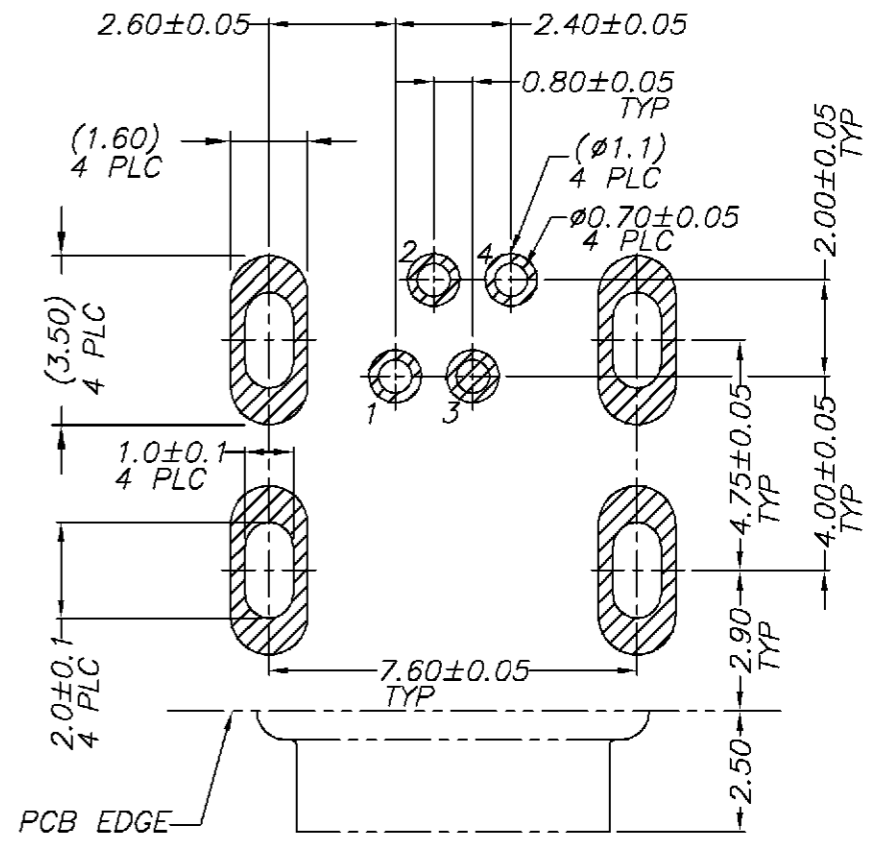
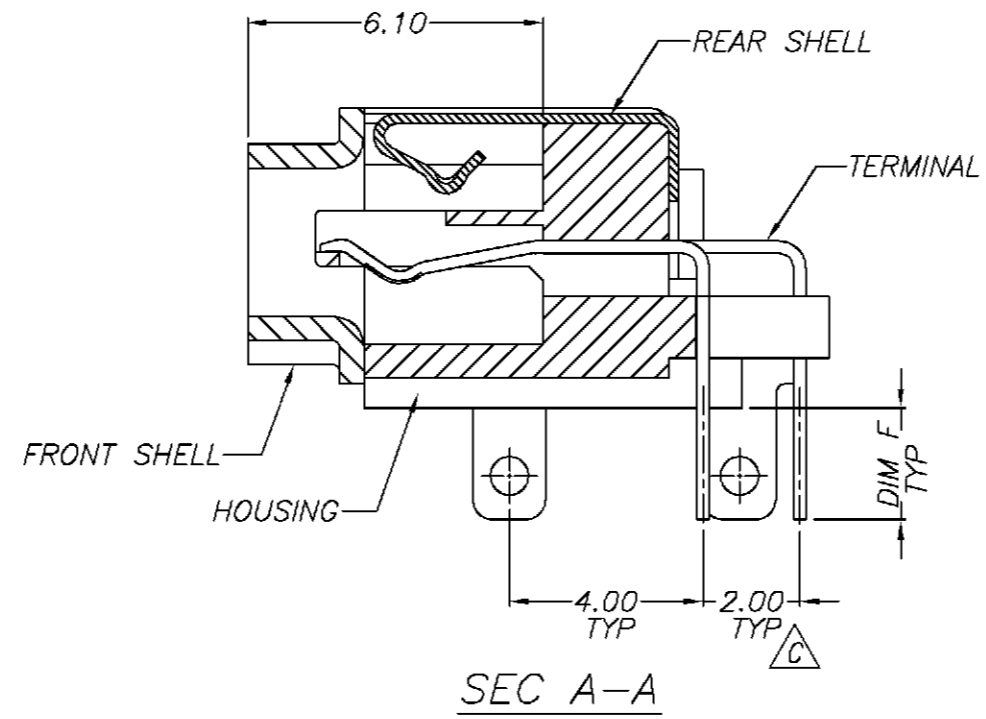
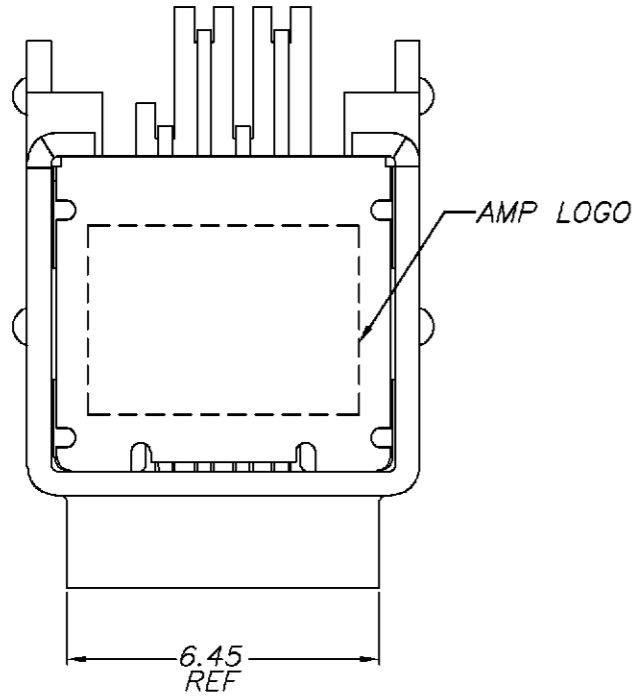
BOSS  
4 PLC

W/O	TRAY	$\triangle B$ 1.20	2-1734056-1
W/O	TAPE REEL	$\triangle B$ 1.20	1-1734056-2
W/	TRAY	$\triangle B$ 1.20	1734056-2
BOSS	PACKAGING	PITCH	PART NUMBER

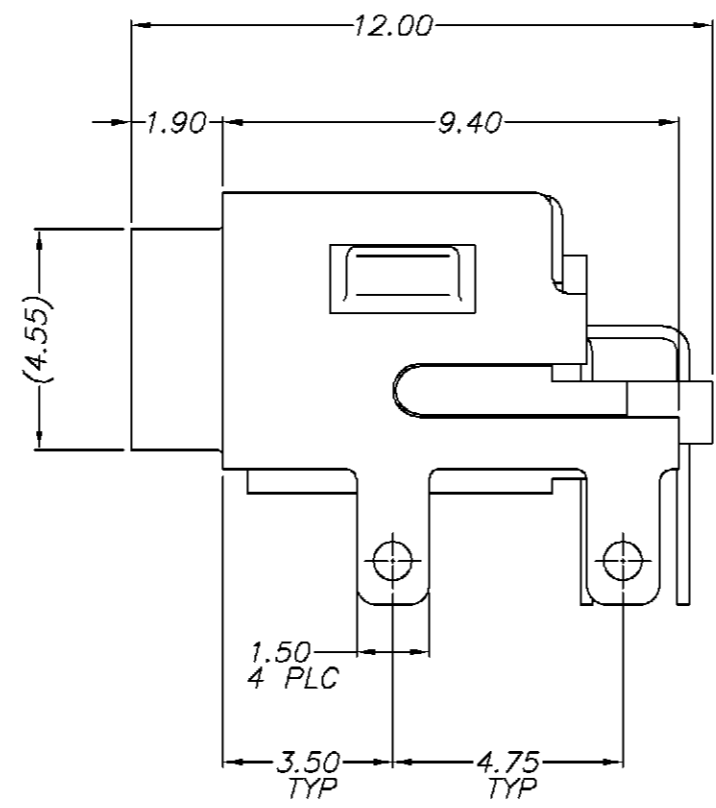
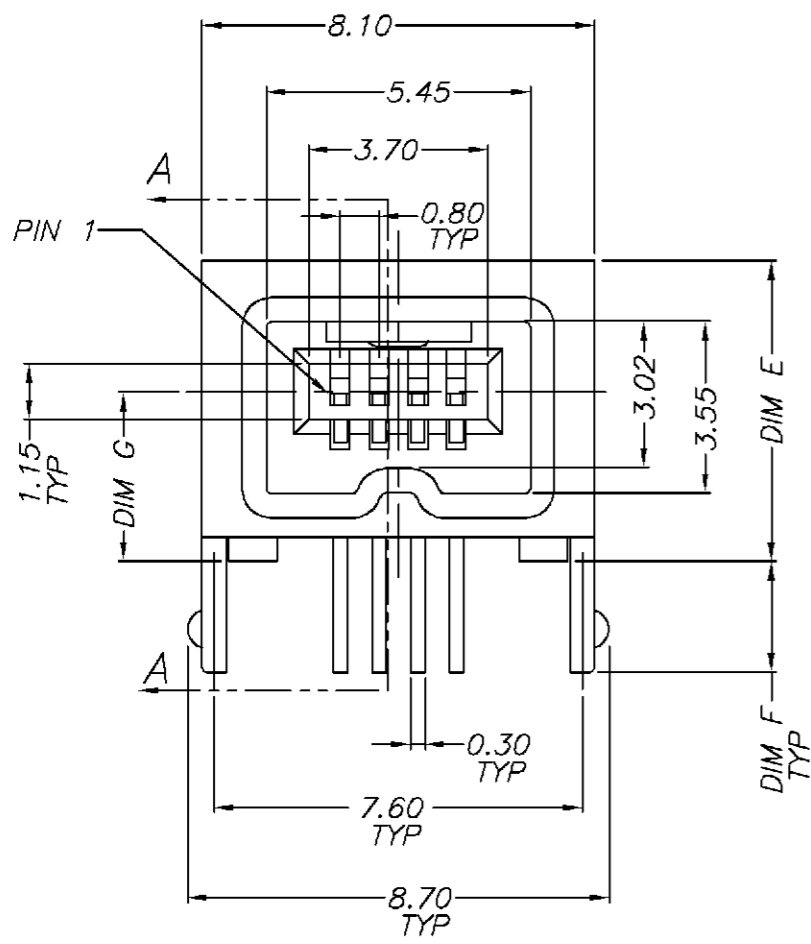
TOLERANCES UNLESS OTHERWISE SPECIFIED: 0 PLC ± 1 PLC ± 2 PLC ± 0.3 3 PLC ± ANGLES ± 3'	DWN	O. HU 11-MAR-2004	 TYCO HOLDINGS (BERMUDA) VII LTD. TAIWAN BRANCH
	CHK	S. HOU 11-MAR-2004	
MATERIAL  SEE SHEET 1.	APVD	T. KE 11-MAR-2004	NAME  IEEE 1394, 4 POS, FEMALE, DIP TYPE, W/O MOUNTING EARS
	PRODUCT SPEC	SEE SHEET 1.	
FINISH  SEE SHEET 1.	QUALIFICATION TEST REPORT	SEE SHEET 1.	LOC DW
	WEIGHT	SCALE	REV O
		SIZE <b>A<sub>3</sub></b>	DRAWING NO C-1734056
			SHEET 2 OF 5

SEE SHEET 1.	ECN	DWN	CHK	DATE
LTR	REVISION RECORD			

THIS INFORMATION IS CONFIDENTIAL AND IS DISCLOSED TO YOU ON CONDITION THAT NO FURTHER DISCLOSURE IS MADE BY YOU TO OTHER THAN AMP PERSONNEL WITHOUT WRITTEN AUTHORIZATION FROM AMP (TAIWAN) LTD. DIMENSIONS IN MILLIMETERS. DO NOT SCALE PRINT.



RECOMMENDED PCB LAYOUT



3.50	2.30	6.20	TAPE REEL	△C 2.0	1-1734056-3
			TRAY	△C 2.0	1734056-3
DIM G	DIM F	DIM E	PACKAGING	PITCH	PART NUMBER

TOLERANCES UNLESS OTHERWISE SPECIFIED: 0 PLC ± 1 PLC ± 2 PLC ± 0.3 3 PLC ± ANGLES ± 3'	DWN	O. HU	<b>tyco</b> TYCO HOLDINGS (BERMUDA) <b>Electronics</b> VII LTD. TAIWAN BRANCH		
	CHK	S. HOU			
MATERIAL	APVD	T. KE	IEEE 1394, 4 POS, FEMALE, DIP TYPE, W/O MOUNTING EARS		
	PRODUCT SPEC	11-MAR-2004			
FINISH	QUALIFICATION TEST REPORT	LOC	SIZE	DRAWING NO	REV
	SEE SHEET 1.	SEE SHEET 1.	DW	A <sub>3</sub>	C-1734056
	WEIGHT	SCALE	SHEET		
			3 OF 5		

SEE SHEET 1.				
LTR	REVISION RECORD	ECN	DWN	DATE
			CHK	

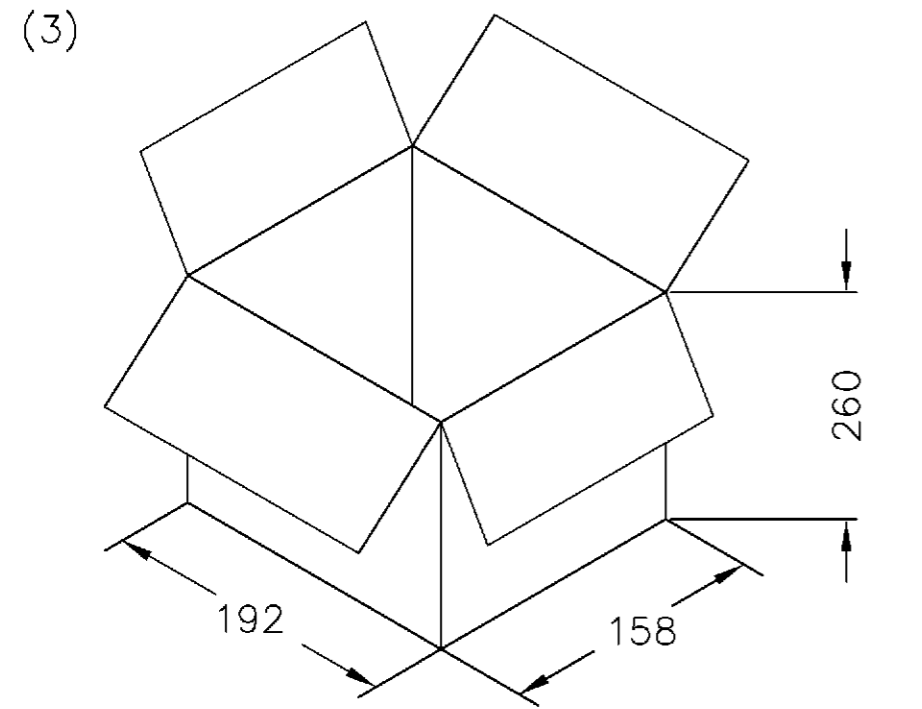
THIS INFORMATION IS CONFIDENTIAL AND IS DISCLOSED TO YOU ON CONDITION THAT NO FURTHER DISCLOSURE IS MADE BY YOU TO OTHER THAN AMP PERSONNEL WITHOUT WRITTEN AUTHORIZATION FROM AMP (TAIWAN) LTD. DIMENSIONS IN MILLIMETERS. DO NOT SCALE PRINT.

PRINT DIST  
DW

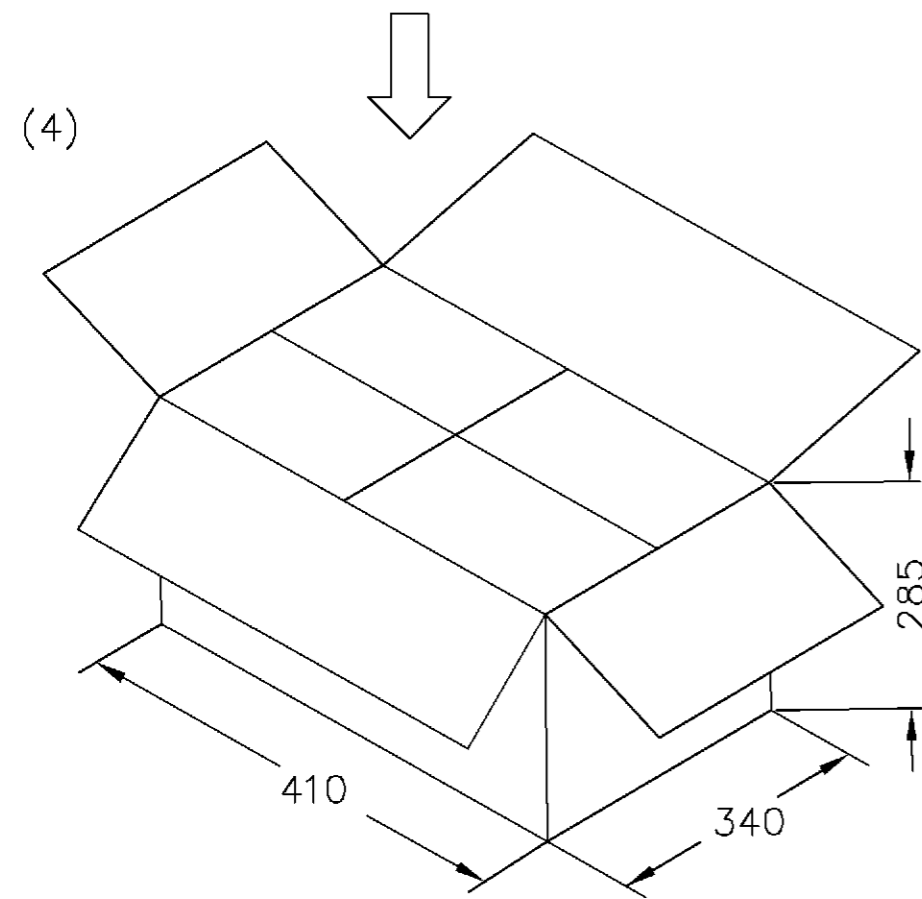
METRIC



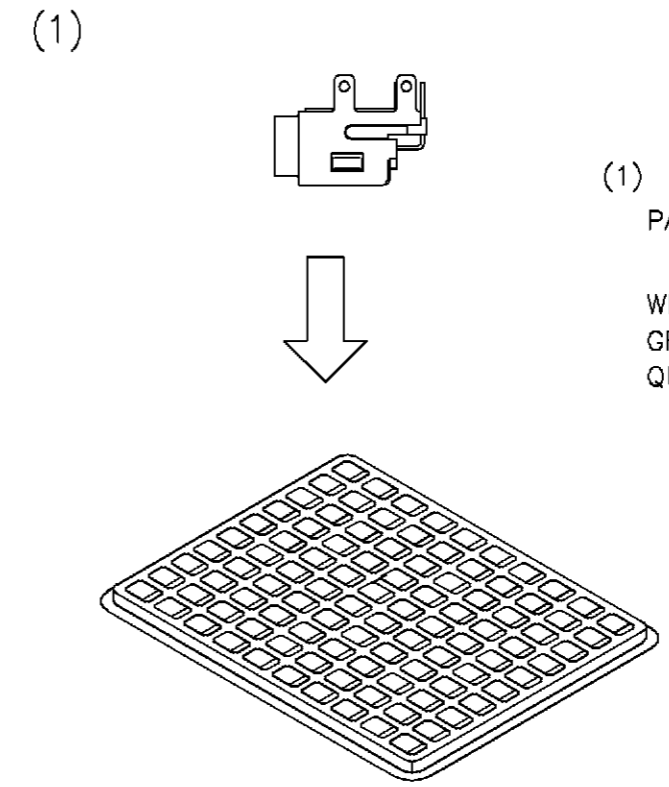
NUMBER  
C-1734056



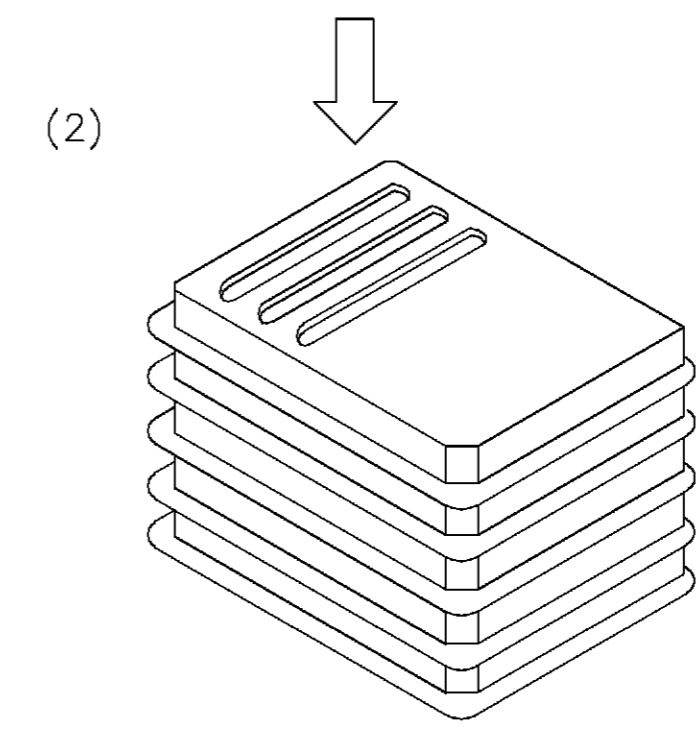
(3)  
PACKING MATERIAL: BOX 1 PC  
WEIGHT: NET 3.0Kg  
GROSS 3.3Kg  
QUANTITY: 100X25=2500 PCS



(4)  
PACKING MATERIAL: CARTON 1 PC  
WEIGHT: NET 9.5Kg  
GROSS 13.5Kg  
QUANTITY: 2500X4=10000 PCS



(1)  
PACKING MATERIAL: ① PVC TRAY 1 SET  
② PE PAPER 1 PC  
WEIGHT: NET 97g  
GROSS 137g  
QUANTITY : 10X10=100 PCS



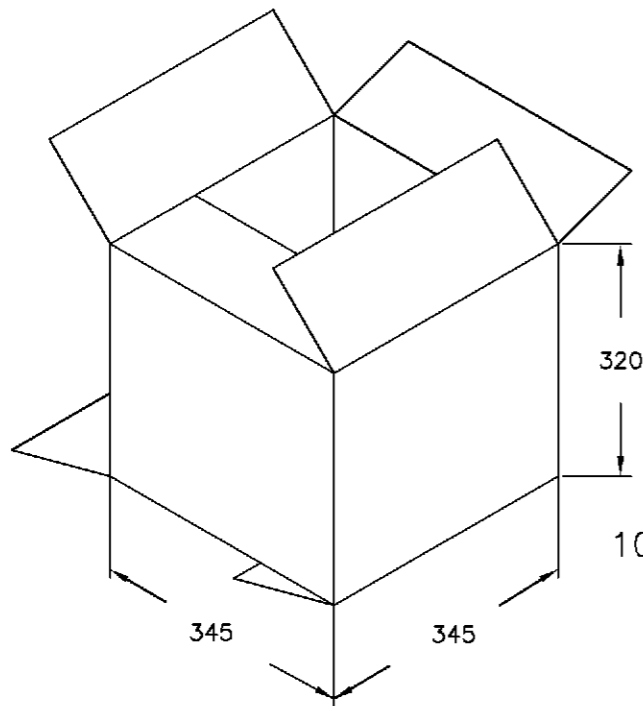
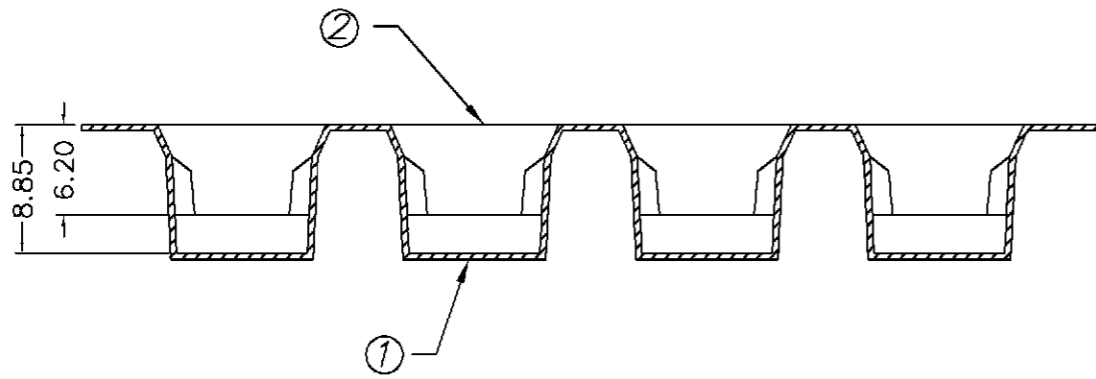
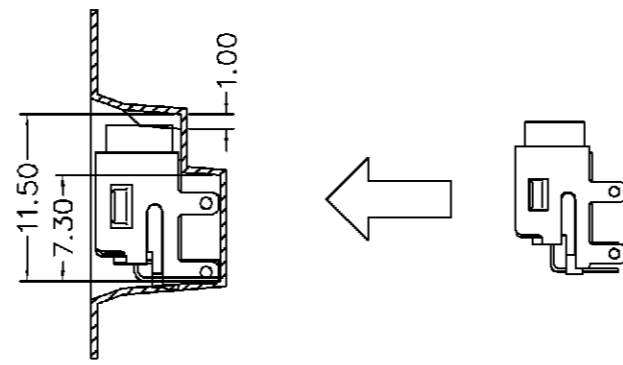
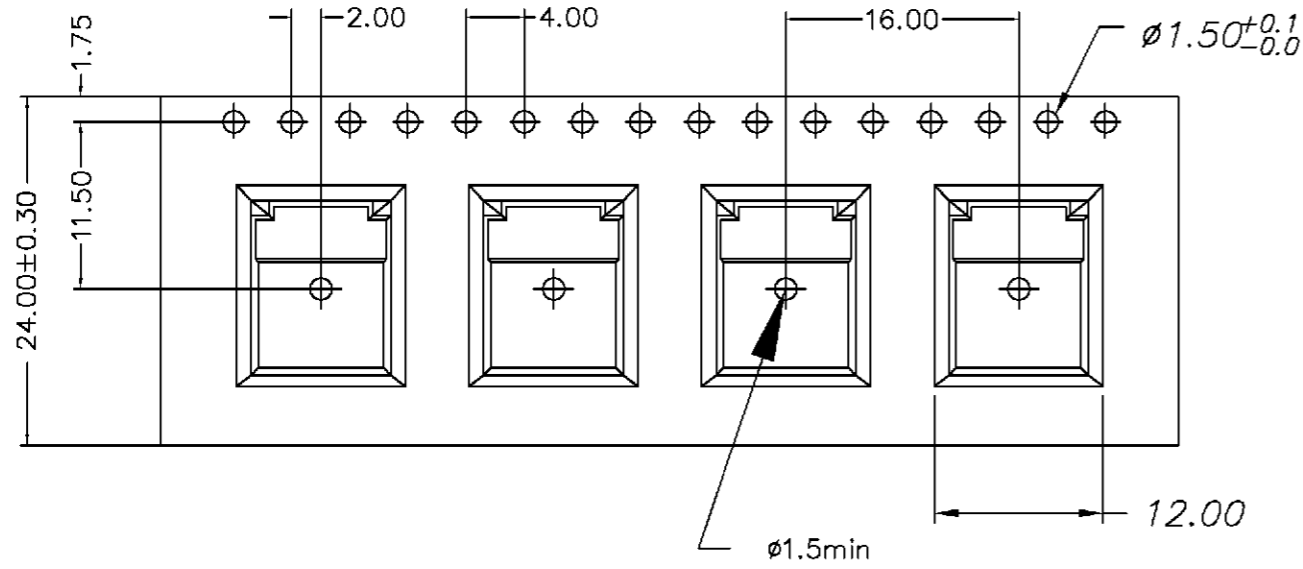
2-1734056-1
1734056-3
1734056-2
1734056-1
PART NUMBER

TOLERANCES UNLESS OTHERWISE SPECIFIED: 0 PLC ± 1 PLC ± 2 PLC ± 0.3 3 PLC ± ANGLES ± 3'	DWN	O. HU	<b>tyco</b> TYCO HOLDINGS (BERMUDA) <b>Electronics</b> VII LTD. TAIWAN BRANCH		
	CHK	S. HOU			
MATERIAL  SEE SHEET 1.	APVD	T. KE	NAME  IEEE 1394, 4 POS, FEMALE, DIP TYPE, W/O MOUNTING EARS		
	PRODUCT SPEC	11-MAR-2004			
FINISH  SEE SHEET 1.	QUALIFICATION TEST REPORT	LOC	SIZE	DRAWING NO	REV
	WEIGHT	DW	A <sub>3</sub>	C-1734056	O
			SCALE	SHEET	
			--	4 OF 5	

SEE SHEET 1.	ECN	DWN	CHK	DATE
LTR	REVISION RECORD			

THIS INFORMATION IS CONFIDENTIAL AND IS DISCLOSED TO YOU ON CONDITION THAT NO FURTHER DISCLOSURE IS MADE BY YOU TO OTHER THAN AMP PERSONNEL WITHOUT WRITTEN AUTHORIZATION FROM AMP (TAIWAN) LTD. DIMENSIONS IN MILLIMETERS. DO NOT SCALE PRINT.

NUMBER C-1734056  
3RD ANGLE PROJECTION  
METRIC

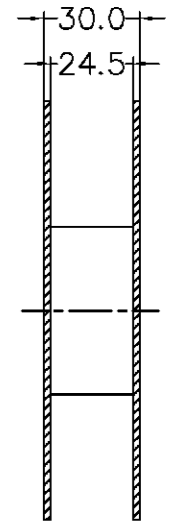
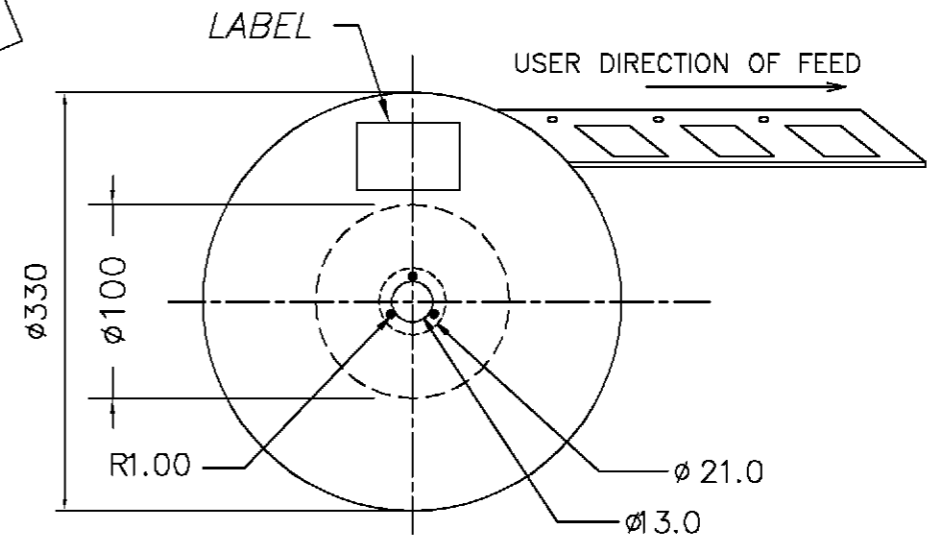


10 REEL/CARTON

NOTES:

1. TAPE MATERIAL: ① PS, T = 0.40±0.05, BLACK.  
② PE.
2. WEIGHT/CARTON : NET 3.8 KG.  
GROSS 8.5±0.3 KG.
3. QUANTITY/REEL : 400 PCS  
QUANTITY/CARTON : 400 X 10 = 4000 PCS
4. CARTON SIZE : 345 X 345 X 320

REEL DIMENSION : REFERENCE ONLY



1-1734056-3
1-1734056-2
1-1734056-1
PART NUMBER

TOLERANCES UNLESS OTHERWISE SPECIFIED: 0 PLC ± 1 PLC ± 2 PLC ± 0.3 3 PLC ± ANGLES ± 3'	DWN	O. HU	<b>tyco</b> TYCO HOLDINGS (BERMUDA) <b>Electronics</b> VII LTD. TAIWAN BRANCH		
	CHK	S. HOU			
MATERIAL SEE SHEET 1.	APVD	T. KE	NAME IEEE 1394, 4 POS, FEMALE, DIP TYPE, W/O MOUNTING EARS		
	PRODUCT SPEC	11-MAR-2004			
FINISH SEE SHEET 1.	APPLICATION SPEC	LOC	SIZE	DRAWING NO	REV
	WEIGHT	DW	A <sub>3</sub>	C-1734056	O
			SCALE	SHEET	
			--	5 OF 5	

SEE SHEET 1.	ECN	DWN	CHK	DATE
LTR	REVISION RECORD			